

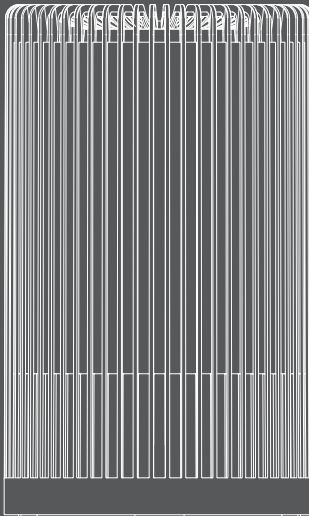
SMART AIR PURIFIER

H-PFBI-47



For Your Safety

Read and understand this manual before use.
Keep this manual for future reference.



HYUNDAI

READ AND SAVE THESE INSTRUCTIONS WARNINGS

**Failure to comply with the warnings listed below may
result in electric shock or serious injury.**



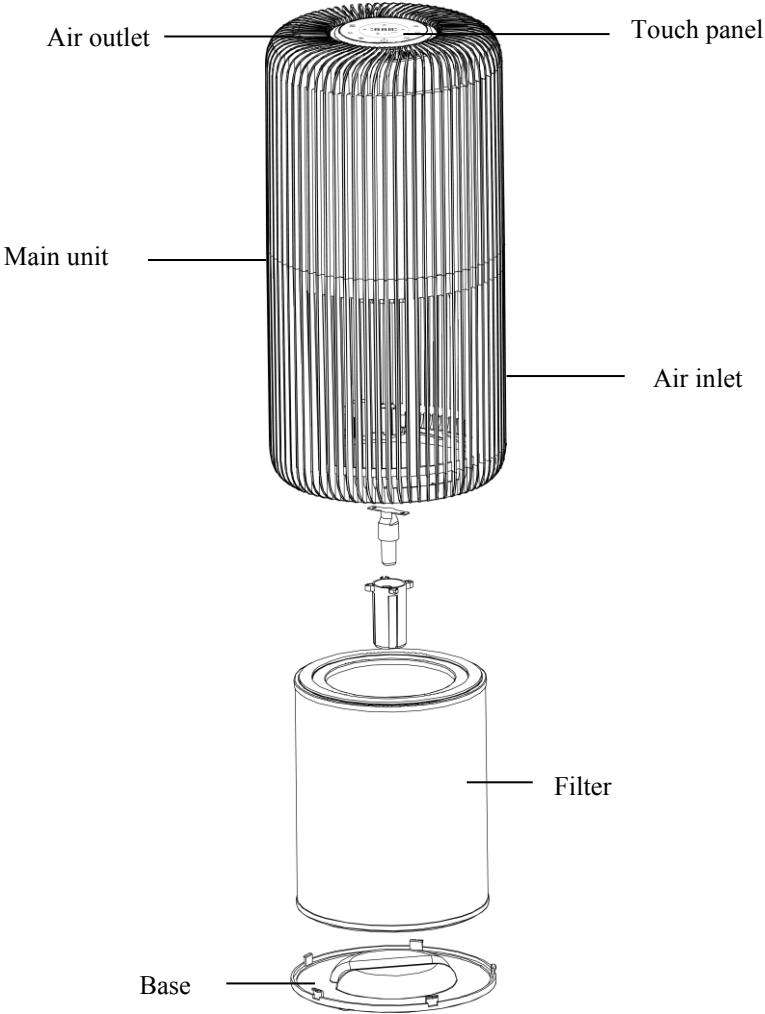
This product should be used only in accordance with the specifications
ined in this manual. Usage other than what has been specified here may
result in serious injury.

When using electrical appliances, basic precautions should always be followed to
reduce the risk of fire, electric shock and injury to persons, including the following:

- Read all instructions before using appliance.
- To avoid fire or shock hazard, plug the appliance directly into a right AC electrical outlet.
- Keep the cord out of heavy traffic areas. To avoid fire hazard, NEVER put the cord under rugs, near heat registers, radiator, stoves or heaters.
- To protect against electrical hazards, DO NOT immerse in water or other liquids. Do not use near water.
- Children cannot recognize the hazards associated with the usage of electrical appliances. For this reason, always supervise children when they are near the unit.
- Always unplug the air purifier before moving it, opening the grill, changing filters, cleaning or whenever the air purifier is not in use. Be sure to pull by the plug and not the cord.
- NEVER drop or insert any object into any openings.
- DO NOT run cord under carpeting.
- DO NOT cover cord with throw rugs, runners, or similar coverings.
- DO NOT route cord under furniture or appliances. Arrange cord away from traffic area and where it will not be tripped over.
- DO NOT operate any appliance with a damaged cord or plug, if motor fan fails to rotate, after the appliance malfunctions, or if it has been dropped or damaged in any manner. Send to Customer Service for assistance.

- Use appliance only for intended household use as described in this manual. Any other use not recommended by the manufacturer may cause fire, electric shock or injury to persons.
- DO NOT use outdoors.
- DO NOT place anything on top of unit.
- NEVER block the air openings, grills/outlets or place on a soft surface such as a bed or sofa, as this could cause the unit to tip over, blocking the air intake or outtake opening.
- DO NOT attempt to repair or adjust any electrical or mechanical functions on this unit. Doing so will void your warranty. The inside of the unit contains no user serviceable parts. All servicing should be performed by qualified personnel only.
- WARNING: To reduce the risk of fire or electric shock, do not use this device with any solid-state speed control device.

PRODUCT STRUCTURE



AIR CLEANING SYSTEM

Improve your indoor air quality with multiple Air Cleaning System.

PRE-FILTER: Captures initial large particles and dust.

HEPA FILTER: Captures dust, smoke, pollen and other allergens.

CARBON FILTER: Eliminates odors and bad smells.

UV-C: UV Light (254NM) destroys micro-organisms such as germs, viruses, bacteria and fungi (such as mold toxins).

OPERATING INSTRUCTIONS

BEFORE OPERATING THE AIR PURIFIER:

1. Carefully lift your air purifier from box and remove the two packed plastic bags from unit and filter.
2. Select a firm, level and flat location for the air purifier.
3. Plug the power cord into a right voltage AC outlet.

*For proper air flow, locate the unit at least 1 foot from any wall or furniture.

*Make sure none of the grills are blocked.

OPERATING THE AIR PURIFIER



“POWER” & “WIFI” BUTTON:

Short press this button to turn on the unit or off;

Press and hold for 3-5 seconds to active or reset wifi connection.



“TIMER” BUTTON:

Press this button to set working time from 1 to 12 hours, device will be turn off when time is up the setting. Press and hold for 3 second to deactivate timer.



“UV” BUTTON:

Press this button to turn on/off UV-C light.



“CHILD LOCK” BUTTON:

Long press this button for 3S to enter or exit the child lock mode. If any button is pressed when child lock is activated, the icon will flash 3 times to remind the locked status.



“SPEED” & “AUTO”BUTTON:

Press this button to cycle through the speed settings for selecting the speed of I (Low), II (Medium) , III (High) , Turbo and Auto.

Under AUTO mode, the unit will automatically change the speed according to the air quality detected by air sensor.

Air quality indication LED ring show different colors in below logic:

Heavily Polluted	Red
Lightly Polluted	Orange
Moderate	Yellow
Good	Blue



“SLEEP” BUTTON:

Press this button to turn on sleep mode or off. The sleep icon will flash for 5 seconds before the unit enters into sleep mode. Under SLEEP mode, all the lights (except sleep indicator) will turn off and unit working in sleep speed .

Press sleep button again or any button to quit sleep mode.



“FILTER RESET” & “PM2.5 DISPLAY” BUTTON

- 1) Short press this button to check the filter life and PM2.5 data display.
- 2) After operating 4320 hours, the “FILTER RESET” indicator will turn on red, means it need to replace the filter. After replace the filters, press and hold this button 3-5 seconds to reset the indicate light, filter timer restarts.

Long press this button before the filter life up, the red light will flash for 20 seconds to reminder user. Continue to long press it within 20 seconds, filter timer reset.

Important note: When the unit is not in use, please switch it off and unplug it.

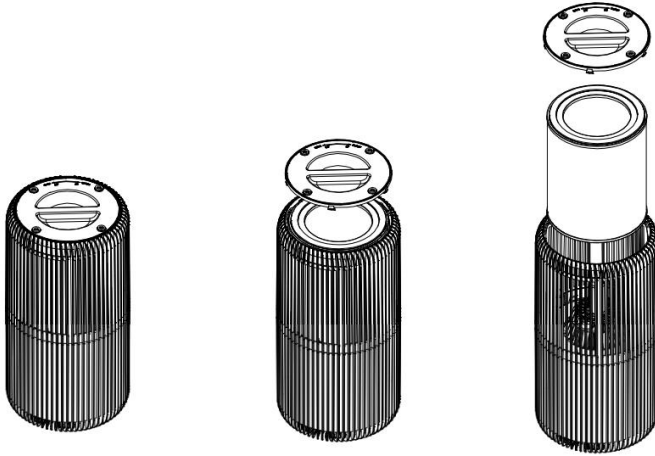
INSTALLING & REMOVING FILTERS

FILTER REPLACE INDICATOR

The FILTER icon lighting up on red indicates that it is time to replace the filter. Follow the instruction below to change filter and reset the program.

Remark:

- * Remember to tear off the packing bag of the new filter before replacing it.
- *Combination Filter will last approximately 6 months.



1. Upside down the machine;
2. Flip the unit, then rotate and lift the base cover;
3. Change the used filter to new filter;
4. Reattach the base to the unit ;
5. Reset the filter timer by filter reset button.

CLEANING & MAINTAINING

The machine should be cleaned at least once every month by a clean, dry, soft cloth. More frequent cleaning may be required depending on environmental conditions.

NOTE:

- Do NOT stick any foreign objects or your fingers inside of the unit.
- Do NOT use gasoline, benzine, thinner, harsh cleaners, etc. on and/or in the unit while cleaning as they will damage the product.
- NEVER use alcohol or other solvents.

Warranty: 1 year from the date of purchase

FOR ANY WARRANTY CLAIMS, PLEASE RETURN YOUR UNIT OR SEND IT WITH FREIGHT PREPAID TO YOUR DEALER, TOGETHER WITH YOUR PROOF OF PURCHASE.

Label for recording the filter replacement date

ENTER THE INSTALLATION DATE OF THE NEW FILTER

Day

Month

Year

Place this label inside the unit.



(Distributor name)
(Address)
(Phone)

Customer Service
(C/S info)

Supplied by
HYUNDAI Corporation Holdings, Korea
Made in P.R.C

HYUNDAI